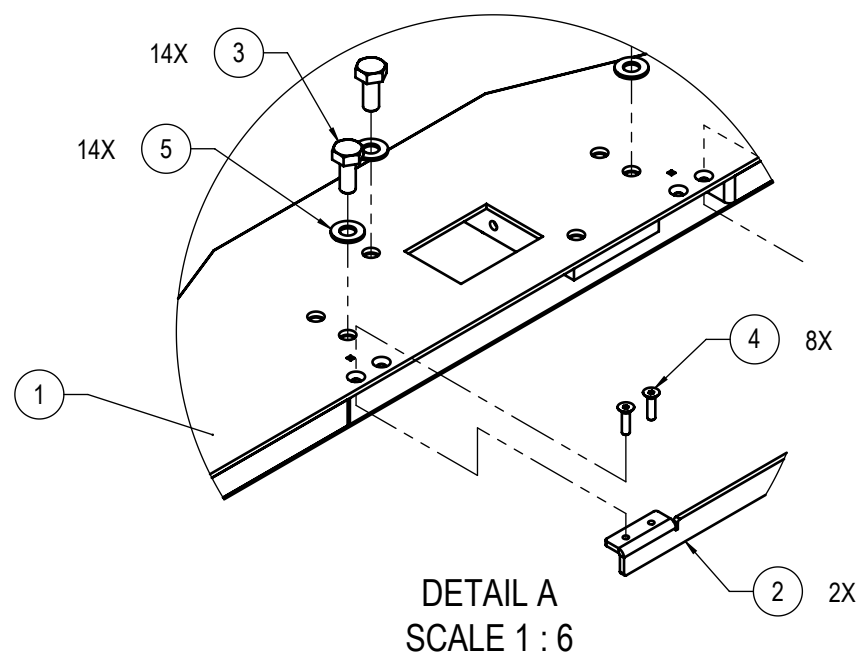
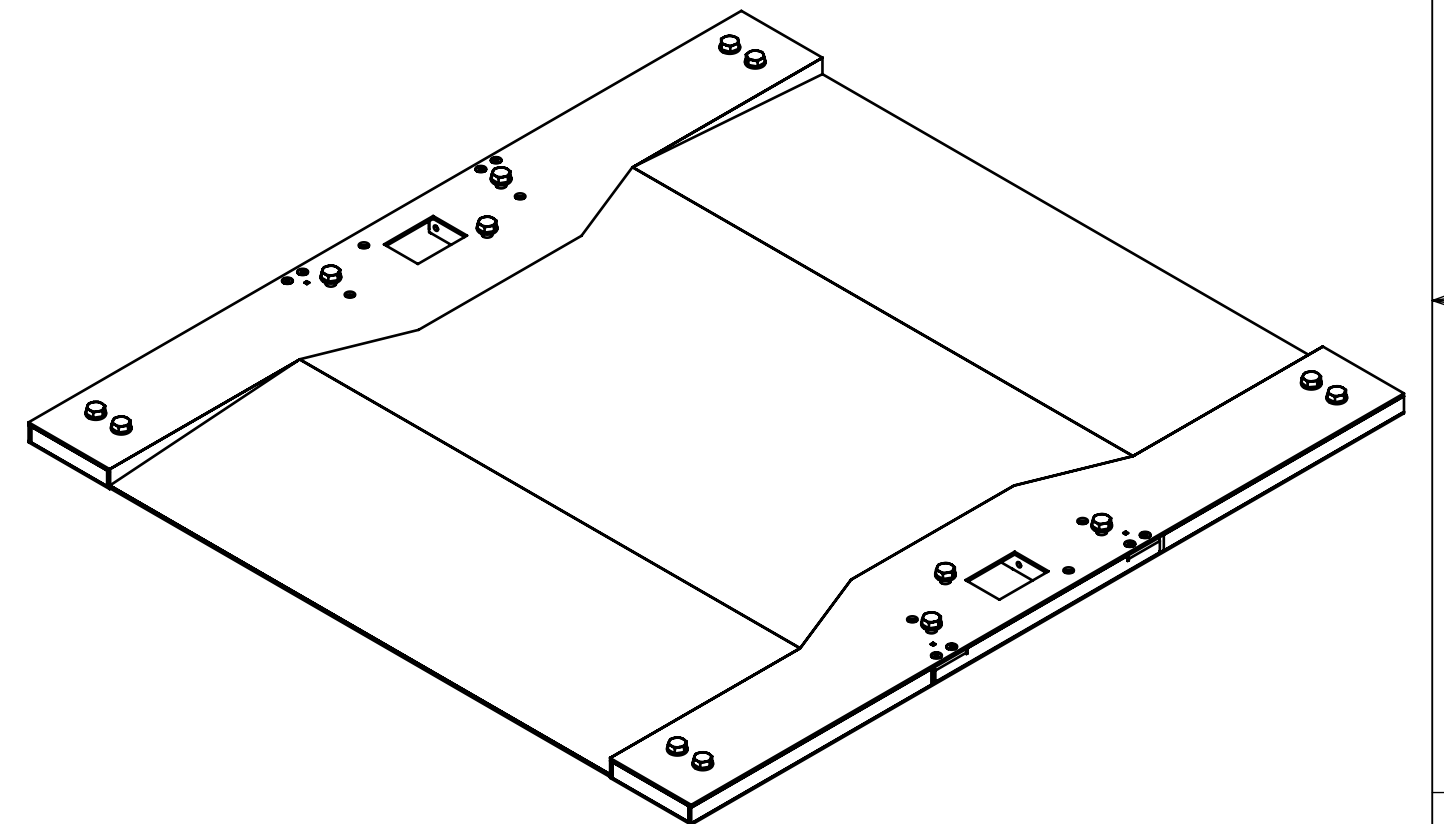
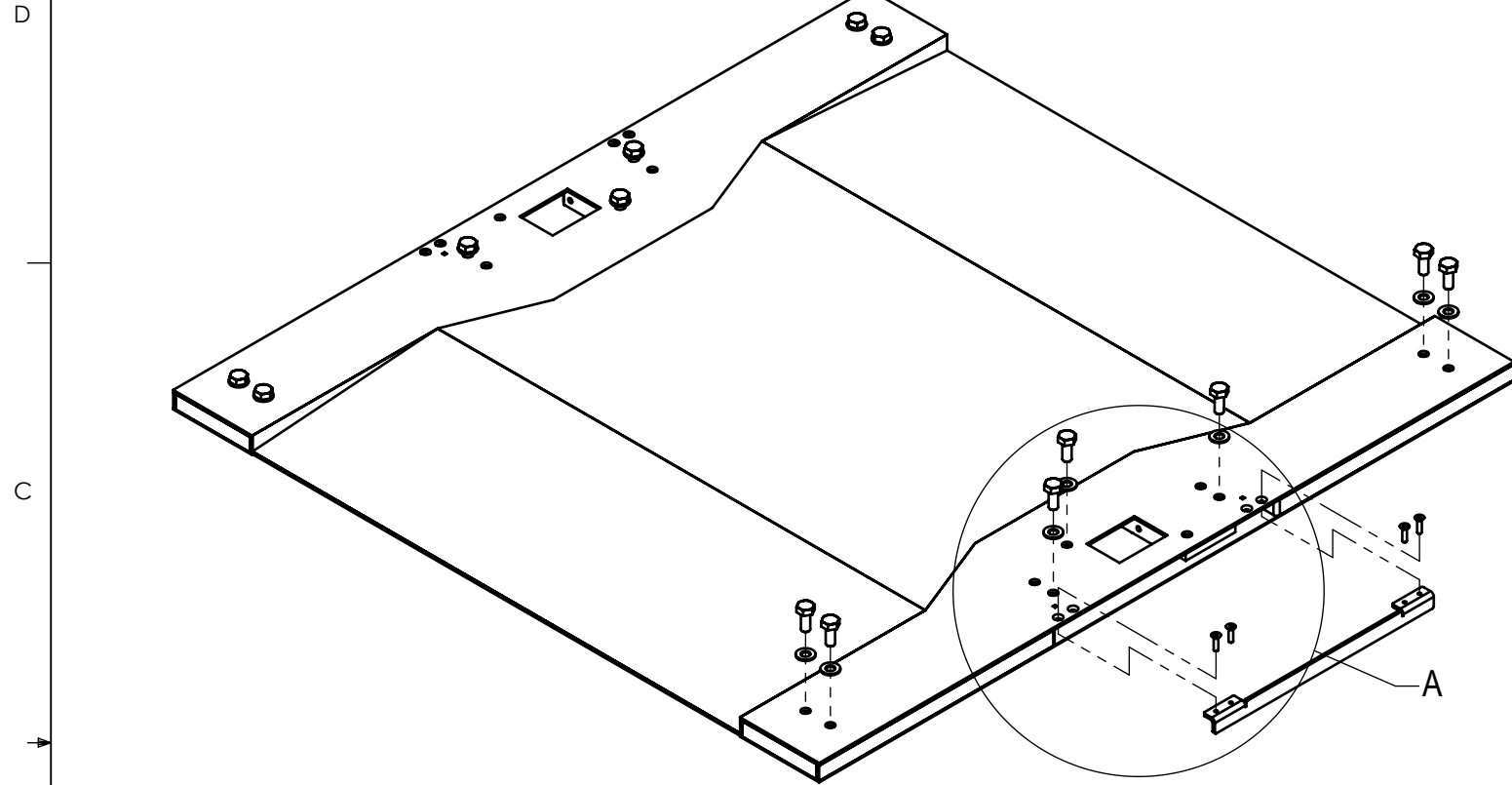


REVISIONS			
REV.	DESCRIPTION	DATE	BY
A	INITIAL DRAWING RELEASE, PER ECO-170628-1417	6/30/2017	RGM
B	UPDATED ILLUSTRATION, PER ECO-171122-0714 (REV A1 SAME AS REV B)	11/22/2017	RGM

ITEM	QTY.	PART NO.	DRAWING NO.	DESCRIPTION
1	1	13-6000-36	MA120896	SU5000 PLATFORM, SL, 36" LW SLOPED, WELDMENT
2	2	13-6090	MD120882	PLATFORM, SLOPE, ACCESS PANEL
3	14	11-1311	N/A	1/2-13 X 1-1/4" HHCS - ZINC
4	8	11-1510	N/A	1/4-20 X 1" FHSCS - BOSS
5	14	91-3410	N/A	1/2" FLAT WASHER - ZINC



DETAIL A  
SCALE 1 : 6

13-6000-36A		N/A	N/A
PART NO.		MATERIAL	FINISH
THIRD ANGLE PROJECTION	N/A	Alvarado Mfg. Co. Inc. 12660 Colony Street, Chino, CA 91710 909.591.8431 - 909.628.1403 (Fax) - www.alvaradomfg.com	
	APPLICATION/ NEXT ASSY	TITLE: SU5000 PLATFORM, SL, 36" LW SLOPED, ASSY	
PROPRIETARY AND CONFIDENTIAL THE INFORMATION CONTAINED IN THIS DRAWING IS THE SOLE PROPERTY OF ALVARADO MANUFACTURING INC. ANY REPRODUCTION IN PART OR AS A WHOLE WITHOUT THE WRITTEN PERMISSION OF ALVARADO MANUFACTURING INC. IS PROHIBITED.	UNLESS OTHERWISE SPECIFIED: DIMENSIONS ARE IN INCHES [mm] ANGULAR: ± 0.5° .XX [X] = ± 0.06 [1.5mm] .XXX [XX] = ± 0.030 [0.76mm]	DRAWN: RGM CHECKED:	DATE: 6/6/2017 SIZE: B DWG. NO.: MA120895 REV: B
E.A.R. #	6912	ENGR: RPL	SCALE: 1:10 SHEET 1 OF 1
DO NOT SCALE DRAWING			