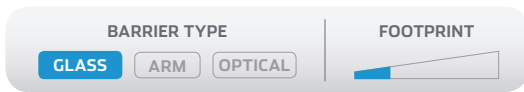




Elegance and intelligence, defined

Fastlane Intelligate 300 is a bi-directional, motorized access gate that includes unique tailgate detection. It allows passage for all authorized users - especially those with packages or reduced mobility - while using Fastlane optical technology to detect unauthorized access or directional violations.



Advanced intelligence

Unlike typical pass gates, Intelligate 300 is an incredibly intelligent computer. An infrared-beam matrix engineered with microprocessors monitors pedestrian movement with pinpoint accuracy, detecting tailgaters and unauthorized users. Inherently more secure, this technology also yields the fastest entry and minimizes false alarms.

IP enabled

Intelligate 300 features Fastlane Connect™, a TCP/IP communication and control system that enables Web-based turnstile control from any PC, tablet, smartphone, or from Fastlane's Multilane Controller.

Operation

Intelligate 300 is designed to ensure only one person gains access for each authorization granted. The glass barriers swing away from an authorized user. Barriers then either:

- Close behind the authorized person to deter tailgaters
- Stay open for immediate additional authorized users passing in either direction

Intelligate 300 will automatically sound a local alarm if someone enters without authorization.

- Efforts to push past the glass barrier will sound a second, louder alarm
- A secondary relay can trigger CCTV, lock doors, or control elevators.
- Optional locking brake for more secure environments

User-friendly and safe

Intelligate 300 barriers automatically:

- Slow to a crawl when safety beams sense an object in the way
- Break away in either direction to minimize injury or damage
- Forced egress mode

Optionally, barriers can be configured to open in the exit direction upon fire alarm or power outage.



High security

Advanced technology for superior entry control

- Detects tailgaters following behind authorized personnel
- Glass barriers are a visual and physical deterrent



Pinpoint accuracy

Intelligence virtually eliminates false alarms

- Differentiates body mass from smaller objects
- Increases acceptance, avoiding guard tune out



Unsurpassed throughput

Greater return on investment

- High processing speed reduces traffic build-up
- Door-like motion ensures quick user acceptance



Superior design

Refined, slim designs accentuate lobby

- Glass barriers provide secure and welcome entry
- Small pedestals - only 9.4 inches in diameter



Field-proven reliability

Uptime and long lifetime improve bottom line

- Fewer failures mean lower repair costs
- Minimizes need for extra security officers



Applications

Intelligate 300 is often used alongside Fastlane optical turnstiles. Typical applications include high-rise building lobbies, corporate offices, financial institutions, and government facilities.

Materials

- Gates: toughened glass EN 14179 / ANSI Z97.1
- Pedestals: 304 stainless steel
- Beam windows: Perspex® 962
- Tops: Corian® Deep-Black Quartz

A variety of premium and custom options are available to ensure Fastlane complements building aesthetics.

Visitor management

Intelligate 300 features an optional visitor-management input. When activated, unlimited access is allowed for a designated period, after which the system returns to its secure state.

Disabled access

Intelligate 300 is compliant with ADA as well as most international standards. Audio/Visual feedback is standard.

Options/Accessories

- Fastlane Technical Services
- Fastlane Floor Protector
- Fastlane Infill System
- Multiple desktop controls- IP or Analog
- FastScan™ Tenant/Visitor System
- Locking Barriers
- Reader mounting post

Please see Fastlane accessories data sheets for additional details.

Technical specifications

Pedestal dimensions (standard and ADA)

- Height: 38.0" (965 mm)
- Diameter: 9.4" (240 mm)

Weights

- Pedestal: 52.9 lbs (24 kg)
- Standard glass: 39.7 lbs (18 kg) per panel

Lane width

- Standard glass lane: 39.3" (1,000 mm)
- 47.2" (1200 mm)
- 55.1" (1400 mm)

Barrier Height- 4 Options

- 70.9" (1800 mm)
- 59.1 (1500 mm)
- 47.2 (1200 mm)
- 38" (965 mm)

Opening/closing time

- 1 second

Throughput*

- 1 person per second (subject to response time of access control system)

Tailgate detection distance

- 0.39" / 10 mm

Barrier glass breakaway force

- 60 N (6.1 kg) nominal

Display

- RGB LED diffused through .39" high clear frosted acrylic

Sounders

- Single tone sounder: card authorization and turnstile obstruction
- Multi-tone variable volume sounder: alarm condition

Optics

- Optical turnstile - pulsed multi-infrared beam array, synchronized for detection and safety
- Environmentally hardened to avoid sunlight interference

Operating modes

- Card in/card out
- Card entry/push-button exit
- Push-button entry/card out
- Push-button entry/push-button exit

Ethernet Connection

- TCP/IP port

Power requirements

- Input: 100-240 Vac, 50-60 Hz, 1500 mA
- Output: 24 V DC, 60 W, 1.25 A

Reliability

- 5,000,000+ cycles*

Inputs from Access Control

- Require voltage-free switching (current sense 1 mA typical)
- Entry request (normally open closing for < 1 second)
- Exit request (normally open closing for < 1 second)
- Visitor access in & out (normally open momentary push button)
- Fire panel integration- Opto-coupled Input2-24Vdc @ 25mA nomina

Outputs to Access System

- Voltage free relay contacts rated 0.5A, 28 V DC for output to system
- Lane entered (NC)
- Lane exited Exit (NC)
- Alarm 1 (NC, opening for 1s)
- Alarm 2 (NC, opening for 1s)

Certifications (power supply only)

- UL 60950-1
- CSA C22.2 No. 60950-1-07, 2nd edition

* Expected time to pass through turnstile.

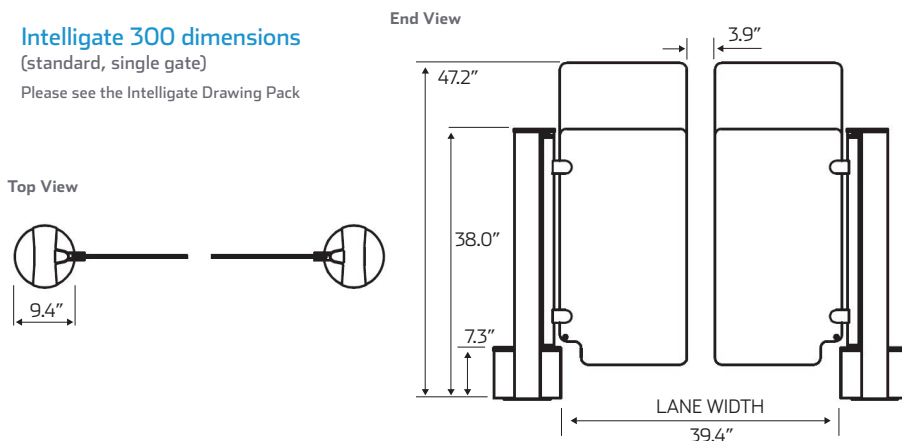
* In normal use, 5,000,000 cycles of operation is expected before electromechanical sub-assemblies may require replacement as part of an approved preventative maintenance program.

* Due to continuous improvements, specifications are subject to change without prior notice.

Details

Intelligate 300 dimensions (standard, single gate)

Please see the Intelligate Drawing Pack



With thousands of systems installed on 6 continents, Fastlane is a world leader in elegant and intelligent optical turnstiles.

Manufactured by Integrated Design Limited. Fastlane is a registered trademark of IDL, 1995.

