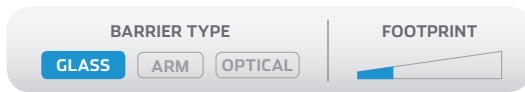


## Elegance in basic entry control

Fastlane Intelligate is a bidirectional motorized access gate that uniquely includes tailgate detection. It allows passage for all authorized users\_especially those with packages or reduced mobility\_while using Fastlane optical technology to detect unauthorized access or direction violations.



### Advanced intelligence

Unlike typical pass gates, Intelligate is an incredibly intelligent computer. An infrared beam matrix engineered with microprocessors monitors pedestrian movement with pinpoint accuracy, detecting tailgaters and unauthorized users. Inherently more secure, this technology also yields the fastest entry and minimizes false alarms.

### Operation

Intelligate is designed to ensure only one person gains access for each authorization granted. The glass barriers swing away from an authorized user. Barriers then either:

- Close behind the authorized person to deter tailgaters
- Stay open for immediate additional authorized users passing in either direction

Intelligate will automatically sound a local alarm if someone enters without authorization.

- Efforts to push past the glass barrier will sound a second, louder alarm
- A secondary relay can trigger CCTV, lock doors, or control elevators.

### User-friendly and safe

The Intelligate barriers automatically:

- Slow to a crawl to avoid contact when safety beams sense an object in the way
- Break away in either direction to minimize injury or damage

Optionally, barriers can be configured to open in the exit direction upon fire alarm or power outage.



#### High security

Advanced technology for superior entry control

- Detects tailgaters following behind authorized personnel
- Glass barriers are a visual and physical deterrent



#### Pinpoint accuracy

Intelligence virtually eliminates false alarms

- Differentiates body mass from smaller objects
- Increases acceptance, avoiding guard tune out



#### Unsurpassed throughput

Greater return on investment

- High processing speed reduces traffic build-up
- Door-like motion ensures quick user acceptance



#### Superior design

Refined, slim designs accentuate lobby

- Glass barriers provide secure and welcome entry
- Small pedestals - only 9.4 inches in diameter



#### Field-proven reliability

Uptime and long lifetime improve bottom line

- Fewer failures mean lower repair costs
- Minimizes need for extra security officers

Speedgates

# Fastlane Intelligate

## Applications

Intelligate is often used alongside Fastlane optical turnstiles. Typical applications include high-rise building lobbies, corporate offices, financial institutions, and government facilities.

## Materials

- Gates: toughened glass (to BS 2606)
- Pedestals: 304 stainless steel
- Beam windows: Perspex® 962
- Beam windows: Perspex® 962

A variety of premium and custom options are available to ensure Fastlane complements building aesthetics.

## Visitor management

Intelligate features an optional visitor management input. When activated, unlimited access is allowed for a designated period, after which the system returns to its secure state.

## Disabled access

Intelligate is compliant with ADA as well as most international standards. Audio/Visual feedback is standard.

## Options/Accessories

- Fastlane Technical Services
- Fastlane Floor Protector
- Fastlane Infill System
- Fastlane Remote Control
- FastScan™ Tenant/Visitor System
- Reader mounting post

Please see Fastlane accessories data sheets for additional details.

## Technical specifications

### Pedestal dimensions (standard and ADA)

- Height: 38.2" (970 mm)
- Width: 6.4" (162 mm)
- Length: 6.4" (162 mm)

### Weights

- Pedestal: 44 lbs (20 kg)
- Standard glass: 10 lbs (4.5 kg)

### Lane width

- Standard glass lane: 39.4" (1,000 mm)
- Lane widths up to 63" (1.6 mm) possible

### Opening time

- 2 or 5 seconds depending on width of gates

### Throughput\*

- 1 person / second after gates are open (subject to response time of access control system)

### Display

- Tri-color LED display indicating direction of passage

### Sounders

- Single tone sounder: card authorization, alarm events (e.g. forced gate, unauthorized access)

### Optics

- Pulsed multi-infrared beams

### Operating modes

- Card in/card out
- Card entry/push button exit
- Push button entry/card out
- Push button entry/push button exit

### Power requirements

- Input: 115 V AC, 60 Hz or 230 V AC, 50 Hz
- Output: 24 V DC, 60 W, 2 A

### Reliability

- 5,000,000+ cycles\*

### Inputs from Access Control

- Require voltage-free switching (current sense 1 mA typical)
- Entry request (normally open closing for < 1 second)
- Exit request (normally open closing for < 1 second)
- Visitor access (normally open)

### Outputs

- Voltage free relay contacts rated 0.5A, 28 V DC in two groups for the following functions:

### Output to Access Control

- Entry request (normally closed)
- Exit request (normally closed)
- Alarm (Normally closed)

### Certifications (power supply only)

- UL 60950-1, 2nd edition
- CSA C22.2 No. 60950-1-07, 2nd edition

\* Expected time to pass through turnstile.

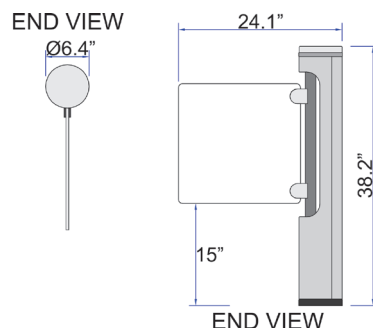
\* In normal use, 5,000,000 cycles of operation is expected before electromechanical sub-assemblies may require replacement as part of an approved preventative maintenance program.

\* Due to continuous improvements, specifications are subject to change without prior notice.

## Details

### Intelligate dimensions (standard)

Please see the Intelligate Drawing Pack for additional details.



With thousands of systems installed on 6 continents, Fastlane is a world leader in elegant and intelligent optical turnstiles.

Manufactured by Integrated Design Limited. Fastlane is a registered trademark of IDL, 1995.

