



# model **GDO**

Alvarado's self-closing pedestrian gates blend well with our modular post and rail or entry turnstiles. Ideal for controlling access of pallet jacks, shopping carts or strollers, the addition of a pedestrian gate provides improved entry control in any environment.

The **GDO** is a single direction, self-closing double gate which uses a durable gravity closure mechanism to smoothly close the gates. Rugged rubber strips protect the gate from repetitive impacts.

GDO gates are bright chrome and most commonly installed in retail applications.



## TYPICAL INSTALLATION SITES

- Supermarkets
- Home Improvement Centers
- Warehouses/Store Rooms

## Why Alvarado?

Alvarado is the leading manufacturer of pedestrian gates. Since its founding in 1956, Alvarado equipment has been installed in thousands of locations throughout the world.

Our superior product quality, integration expertise and industry leading service and support are just a few reasons that many of the world's most respected companies use our products again and again.

### GDO

(Bright Chrome)



### AVAILABLE MODELS

GDO48-001 (48" Passage Width)

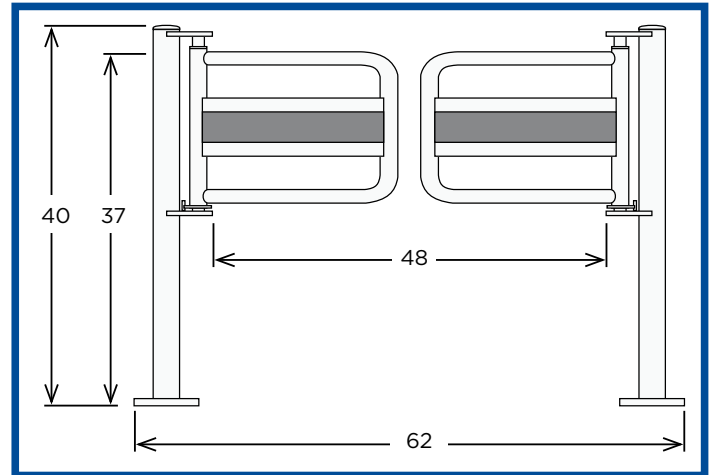
### SELF-CLOSING GATES

GDO gates provide a 48" wide passage and can be installed as stand alone gates or with post and rail systems and/or turnstiles. Optional rail outlets may be ordered factory-installed. Contact Alvarado for details.



### FEATURES

High impact sound deadening bumper strips are included to dampen noise.



Dimensions shown in inches. All Measurements are approximate.



Dual GDO gates are shown in a "sally port" configuration. The set of gates are easy to enter, but difficult to exit through.

### COMPLIMENTARY PRODUCTS

Our modular post and rail are ideal companions to our gates.



### RESOURCES

Alvarado's knowledgeable staff understands that many customers do not deal with pedestrian gates on a regular basis. We offer expert assistance and technical expertise to ensure the best solution is selected for your facility.

Additional information, including detailed specifications, installation manuals, CAD drawings, and application images can be found online.